

# MM SERIES

## MINIATURE MICRO SWITCH



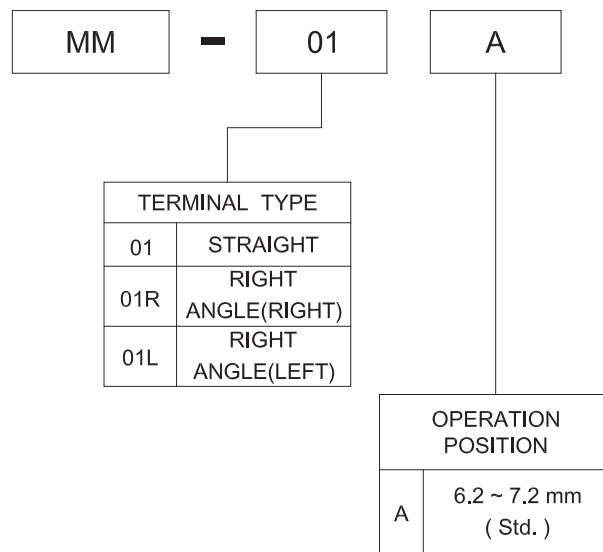
Feature -  
 small size  
 180 and 190 degrees terminal

Application -  
 detection of position mode of mechanism  
 small rating power switch, auto car  
 slide of digital camera cover  
 IC recorder, cassette recorder

### ► SPECIFICATIONS

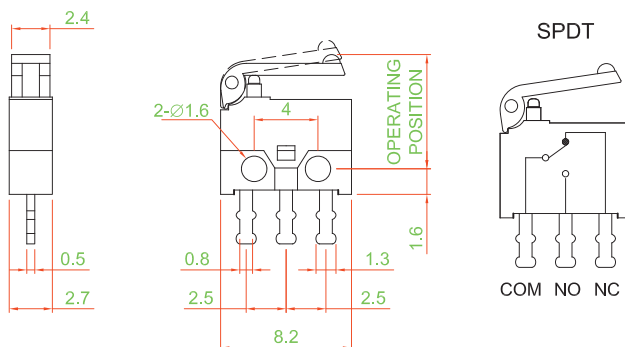
SWITCH SPECIFICATIONS	
POLE - POSITION	SPST
CONTACT RATING	30 V DC , 0.5 A
CONTACT RESISTANCE	100 mΩ MAX. 1.5 V DC ; 100 mA by Method of Voltage DROP
INSULATION RESISTANCE	100 MΩ MIN. 500 V DC
DIELECTRIC STRENGTH	Breakdown is not Allowable ; 500 V AC for 1 Minute
OPERATING FORCE	50 gf MAX.
OPERATING LIFE	100,000 cycles
OPERATING TEMPERATURE RANGE	-20°C ~ 70°C

### ► HOW TO ORDER

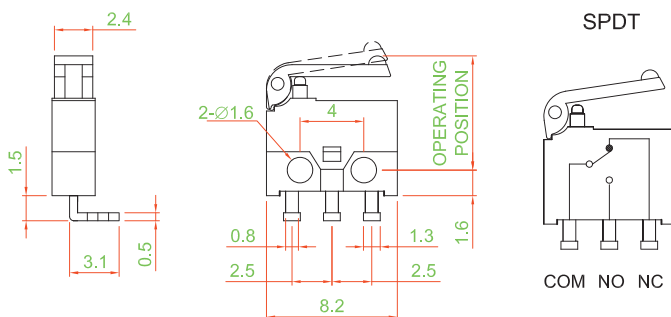


► DIMENSION

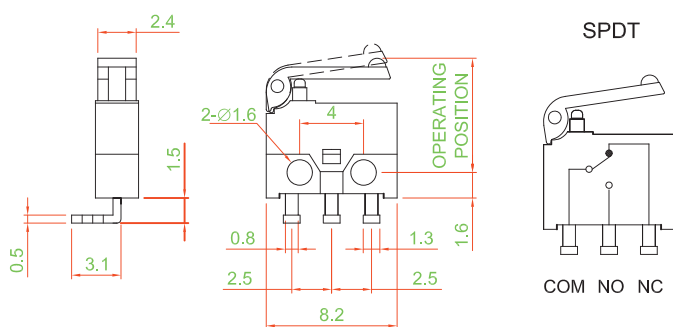
MM - 01 - A



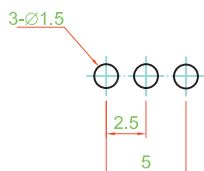
MM - 01R - A



MM - 01L - A



► P.C.B LAYOUT



► UNIT WEIGHT

- COVER : POM
- ACTUATOR : PA
- BASE FRAME : PA
- TERMINAL : SILVER PLATING

► MATERIAL

- MM - 01 : 0.25 ± 0.05 g / pc
- MM - 01L : 0.25 ± 0.05 g / pc
- MM - 01R : 0.25 ± 0.05 g / pc